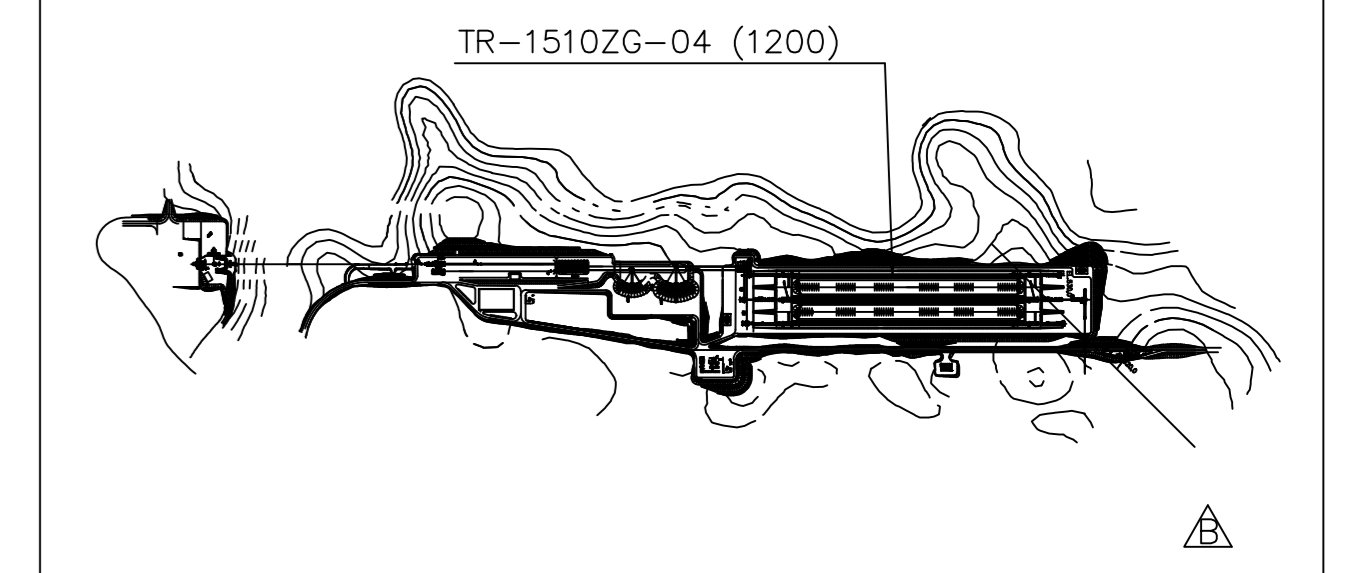
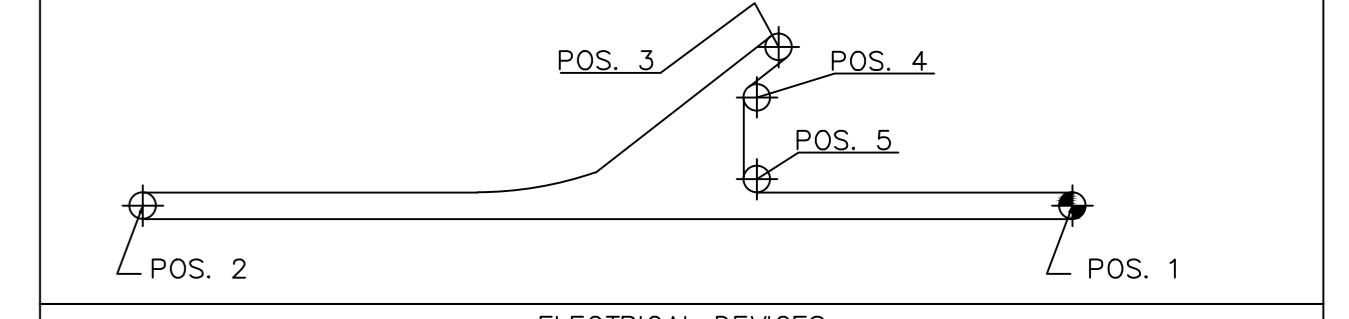


KEY PLAN



POS. FUNCTION	CODE	Ø	WIDTH	TENSIONS (KN)				LAGGING BEARINGS TYPE	NSMA3K-FM	SEALING TYPE	TFR
				T1	T2	T1	T2				
1	DRIVE	1000	1400	225	129	355	109	15 CERAMIC	1900	240	NSMA-3K 528PAP
2	TAIL	1000	1400	137	137	136	136	20 RUBBER	1900	240	NSMA-3K 528CAC
3	TRIPPER	1000	1400	224	224	351	351	20 RUBBER	1900	240	NSMA-3K 528CAC
4	BENDTRIP	1000	1400	226	226	354	354	15 CERAMIC	1900	240	NSMA-3K 528CAC
5	BENDTRIP	1000	1400	225	225	354	354	15 CERAMIC	1900	240	NSMA-3K 528CAC



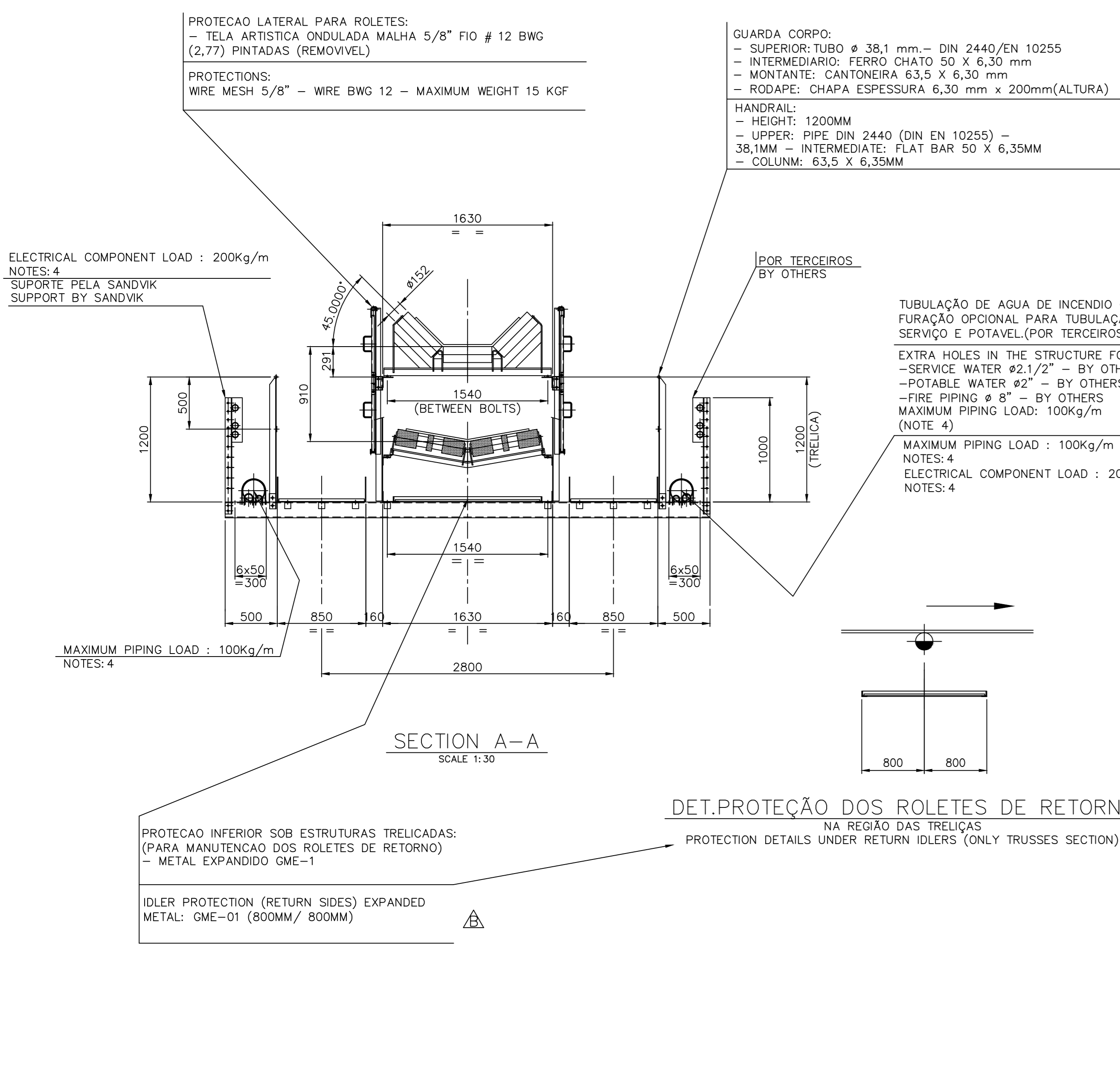
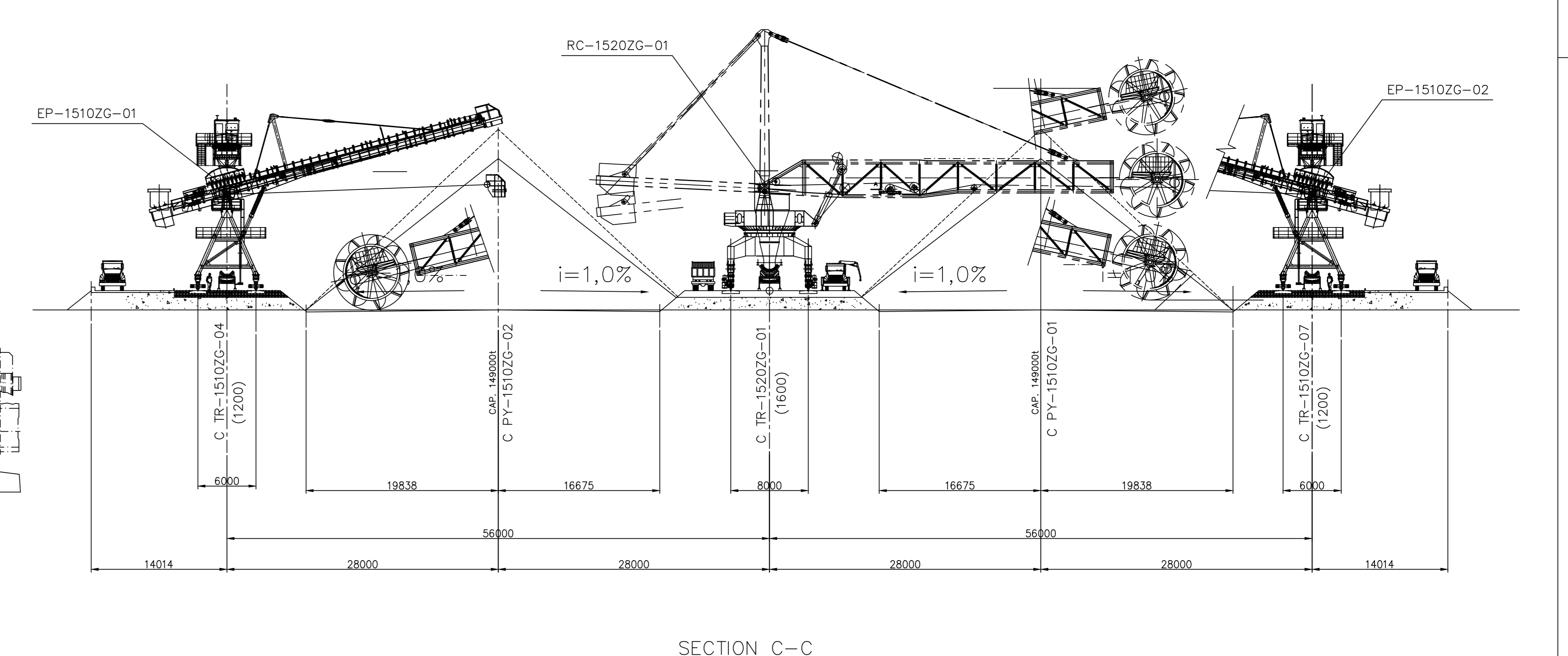
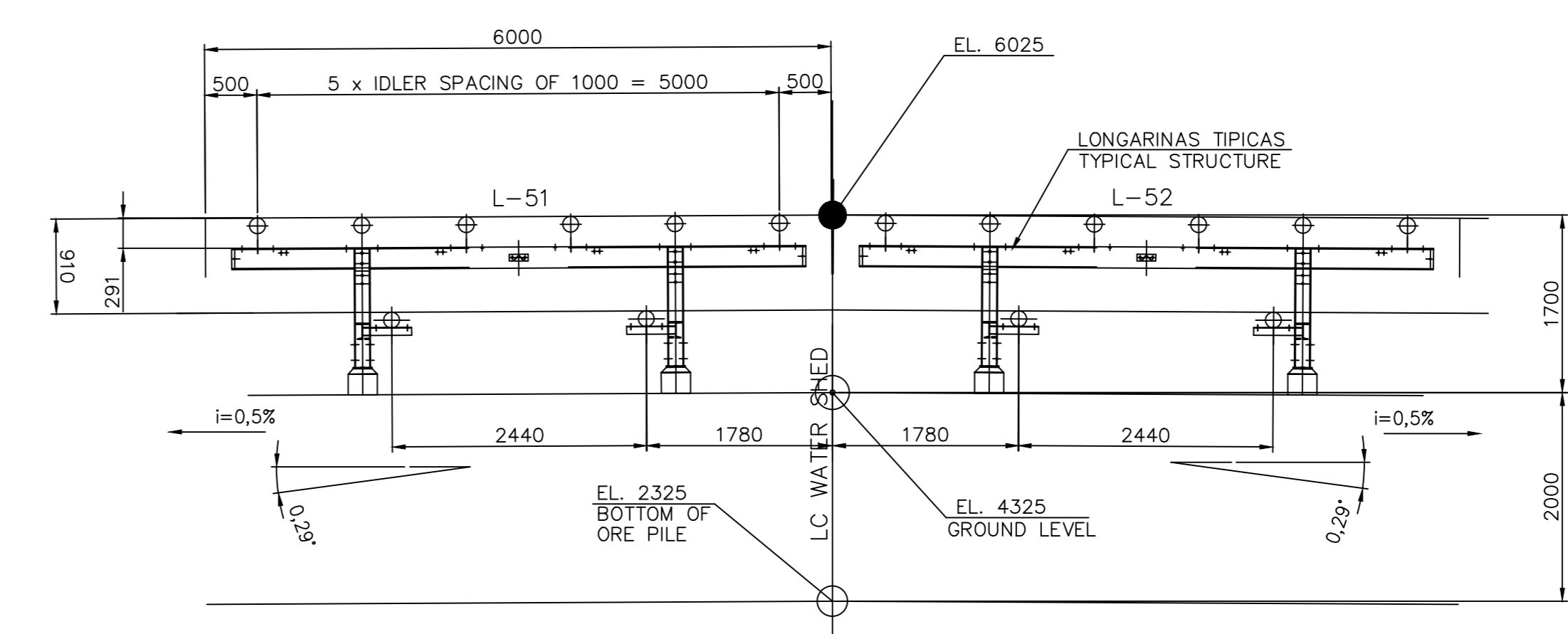
SYMB.	TYPE	QUANT.	SYMB.	TYPE	QUANT.
⊠	SIMPLE EMERGENCY SWITCH	50	⊙	MOTOR - 355 kW	2
⊠	SPEED	1	⊠	HORN	3
⊠	MISALIGNMENT SWITCH	4	⊠	RIP DETECTOR SWITCH (SPAN TYPE)	1
⊠	PROBE LEVEL SWITCH (BY OTHERS)	-	⊠	RIP DETECTOR SWITCH (RIP-CORD TYPE)	2
⊠	LIMIT SWITCH TAKE UP	2	⊠	RIP DETECTOR SWITCH (LASER TYPE)	2

SYMB.	TYPE	GROUP	QUANT.	SYMB.	TYPE	GROUP	QUANT.
⊙	CARRYING	1	595	⊙	RUBBER RING "Vee" RETURN (10°)	10	198
⊙	IMPACT	14	14	⊙	CARRYING IDLER FOR SCALE	1	-
⊙	TRANSITION	6	6	⊙	WEIGHING	1	-
⊙	CARRYING TRAINING IDLER	2	2	⊙	STRUCTURE PROTECTION IDLER	10	34
⊙	UNDER GUIDE CARRYING	6	6	⊙	REEL TYPE IDLER	10	2
⊙	RUBBER RING FLAT RETURN IDLER	10	10	⊙	TURNOVER VERTICAL BELT	1	-
⊙	RETURN TRAINING IDLER	-	-	⊙	TURNOVER INCLINED BELT	1	-
⊙	METAL "Vee" RETURN (10°)	-	-	⊙	ROLO RESTRAL	1	2

TECHNICAL DATA

HORIZONTAL LENGTH	mm	614500
ELEVATION	mm	323
NOMINAL CAPACITY	ton/h	2500
DESIGN CAPACITY	ton/h	3375
BELT WIDTH	mm	1200
BELT SPEED	m/s	3,73
MATERIAL TRANSPORTED	-	IRON ORE
DENSITY	ton/m ³	2,0 @ 2,4
MAXIMUM LUMP SIZE	mm	38
SURCHARGE ANGLE / ALGUE OF REPOSE	(°)	30/38 @ 43
HUMIDITY	%	-

EFFECTIVE POWER = 495 kW
 MOTOR SIEMENS - 2x 355 kW-LA4 352-6AN70-Z(3550)-3a-50Hz-660V-989rpm-6 POLOS-IP55
 GEARBOX - SEW - 02 x X2F5220/B 1:13,880
 BELT - MERCURIO - SPH4000 - EAS 12 x 6 mm LENGTH = 1263 m
 HIGH SPEED COUPLING - VOTH 02 750 TWSVS + GPK + BTS
 LOW SPEED COUPLING - VULKAN 02 68N0 550
 BACKSTOP - RINGSPANN 02 RSM 210/110
 FLYWHEEL - -
 BRAKE - VULKAN 02 4HM - 6445 x 30 - Tf = 1150 Nm



NOTES

- ALL THE DIMENSIONS ARE IN MILLIMETERS, EXCEPT OTHERWISE INDICATED.
- TCA = TOP DO CONCRETO ACABADO (TOP OF CONCRETE BASE WITH GROUT)
- BOLTS/NUTS (HOT GALVANIZED) HIGH STRENGTH : DIN EN 14399-4 - CATEGORY 8.8 LOW STRENGTH: ISO 4014 - CATEGORY 5.6
- THOSE LOADS (ELECTRICAL AND WATER PIPING) MUST BE OPPOSITE.

REFERENCE DOCUMENTS

GENERAL ASSEMBLY - SHEET 1/3 - DF-1510ZG-M-00055-L-00002 - K0144-111-0002
 GENERAL ASSEMBLY - SHEET 2/3 - DF-1510ZG-M-00055-L-00003 - K0144-111-0003
 GENERAL ASSEMBLY - SHEET 3/3 - DF-1510ZG-M-00055-L-00004 - K0144-111-0004
 FOUNDATION PLAN SHEET 1/3 - DF-1510ZG-M-00055-C-00011 - K0144-111-0031
 FOUNDATION PLAN SHEET 2/3 - DF-1510ZG-M-00055-C-00012 - K0144-111-0032
 FOUNDATION PLAN SHEET 3/3 - DF-1510ZG-M-00055-C-00013 - K0144-111-0033

REV.	I.T.	DESCRIPTION	DESIGN	DRAW	CHEC	APPR	ER	DATE
0	E	CERTIFIED	SANDVIK	ANDRE	LZ	RUI		02/09/11
1	B	WHERE INDICATED (07 PLACES) AS VALE COMMENTS	SANDVIK	ANDRE	LZ	RUI		21/07/11
2	A	INITIAL ISSUE	SANDVIK	ANDRE	LZ	RUI		12/04/11

REVISIONS

I.T. TYPE: (A) PRELIMINARY, (B) FOR APPROVAL, (C) FOR INFORMATION, (D) FOR QUOTATION, (E) FOR CONSTRUCTION, (F) AS PURCHASED, (G) AS BUILT, (H) CANCELLED